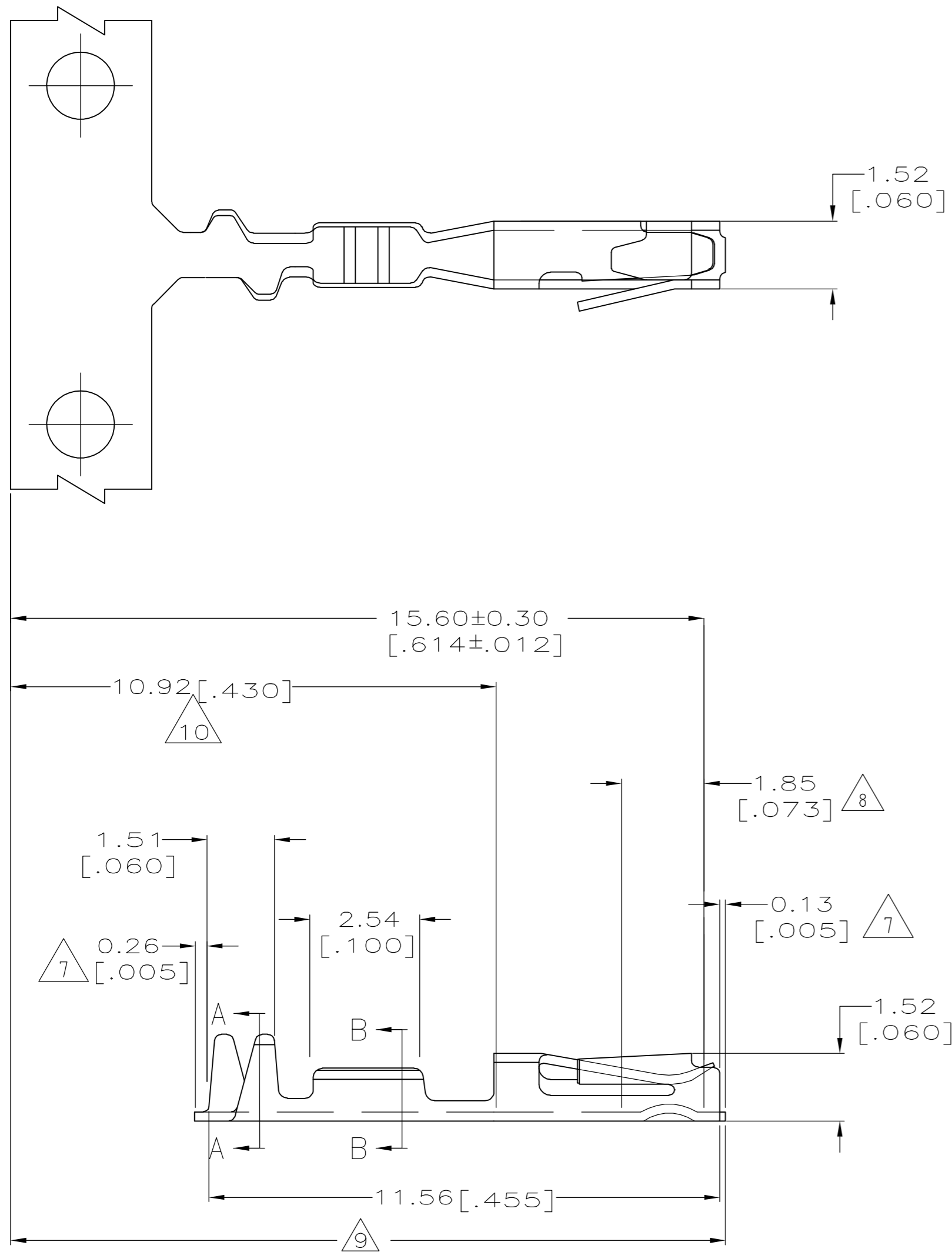
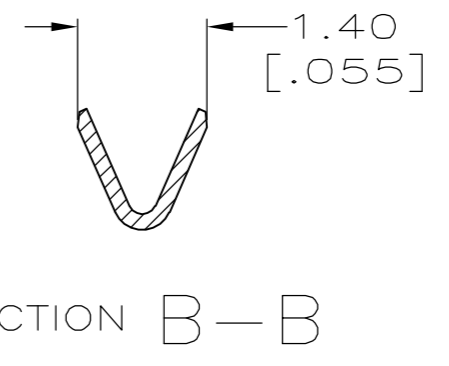
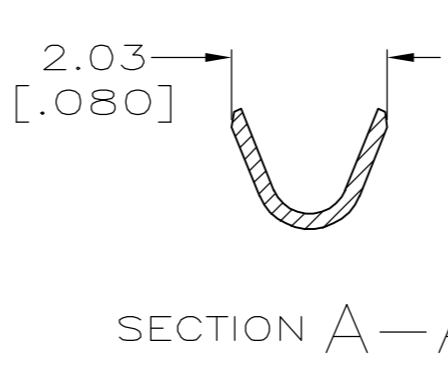


THIS DRAWING IS UNPUBLISHED. RELEASED FOR PUBLICATION
 © COPYRIGHT BY TYCO ELECTRONICS CORPORATION. ALL RIGHTS RESERVED.

LOC	DIST	REVISIONS			
P	LTR	DESCRIPTION	DATE	DWN	APVD
AA	00	H	ECO-06-009878	27JULY2006	LAM AF



1. WIRE RANGE 28-32 AWG.
2. INSULATION RANGE 0.64-1.37 [.025-.054] DIA.
3. 0.00254 [.000100] MIN TIN-LEAD OVER 0.000762 [.000030] MIN NICKEL.
4. PREPLATED 0.00127 [.000050] MIN TIN-LEAD IN ZONES I & II, 0.000762 [.000030] MIN GOLD OVER 0.000762 [.000030] MIN NICKEL INLAY IN ZONE III.
5. PREPLATED 0.00127 [.000050] MIN TIN-LEAD IN ZONES I & II, 0.000381 [.000015] MIN GOLD OVER 0.000762 [.000030] MIN NICKEL INLAY IN ZONE III.
6. PHOSPHER BRONZE
7. MAXIMUM CUTOFF
8. ZONE III (INSIDE SURFACES).
9. ZONE I (OUTSIDE SURFACES).
10. ZONE II (INSIDE SURFACES).



OBSOLETE	5	530901-7	530901-6
OBSOLETE	3	530901-5	530901-4
	4	530901-3	530901-2
		FINISH	LOOSE PIECE PART NO
			STRIP PART NO

THIS DRAWING IS A CONTROLLED DOCUMENT.		DWN B. HAYMAKER 25JAN99	Tyco Electronics Corporation Harrisburg, PA 17105-3608	
DIMENSIONS: mm	TOLERANCES UNLESS OTHERWISE SPECIFIED:	CHK S. BOLASH 25JAN99	APVD S. BOLASH 25JAN99	NAME
	0 PLC ± -	PRODUCT SPEC		CONTACT, RECEPTACLE, STANDARD PRESSURE, MINI-TANDEM SPRING
	1 PLC ± -	APPLICATION SPEC		SIZE CAGE CODE DRAWING NO
	2 PLC ± -	108-25031		A2 00779 C=530901
	3 PLC ± 0.13[.005]	114-25021		RESTRICTED TO
	4 PLC ± -	WEIGHT -		-
	ANGLES ± -	CUSTOMER DRAWING		SCALE 4:1 SHEET 1 of 1 REV H
MATERIAL SEE NOTE 6	FINISH SEE TABLE			

530901-0901